



## OUTi

A modular furniture collection designed for public spaces, combines sculptural simplicity with practical adaptability. Inspired by flowing forms and circular connections, each module can be arranged in multiple configurations, allowing designers and architects to create seating landscapes that evolve with the needs of the space. The collection includes straight and curved benches, table, stool, flowerpot that encourage social interaction while maintaining visual harmony. Durable materials and weather-resistant finishes make the pieces suitable for both indoor and outdoor environments. Soft, continuous lines give the furniture a welcoming, contemporary character, while the modular logic ensures easy expansion and reconfiguration. All elements of this collection can be weighted with sand or anchored to the ground for increased stability.

### MODEL

OU3505

### DIMENSIONS

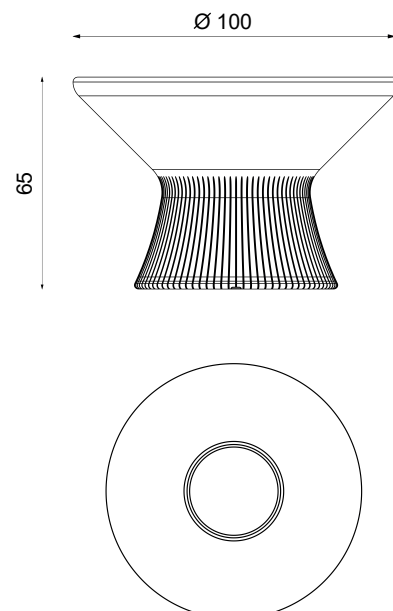
Height - 65 cm  
Width - 100 cm  
Depth - 100 cm

### MATERIALS

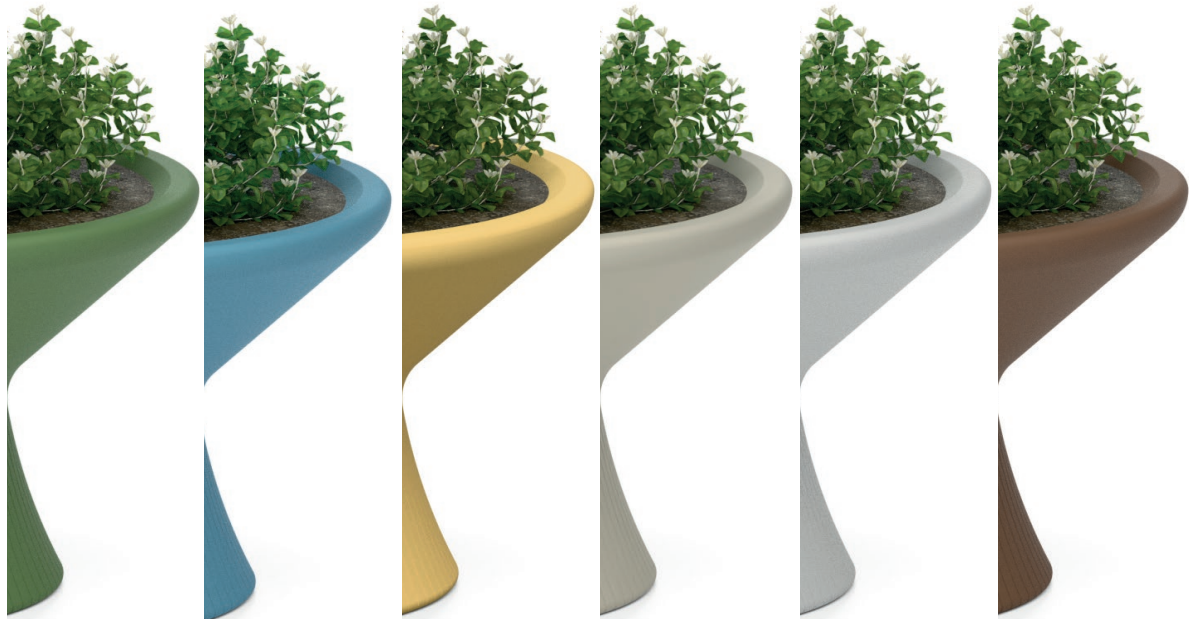
- 100% recyclable polyethylene
- UV stabilizer
- Anti-microbial

### DESIGNER

- LOOPE Studio



AVAILABLE COLOR VERSIONS



RAL6011

RAL5024

RAL1002

RAL7044

RAL7047

RAL8025

#### COLOR RECYCLING PROGRAM

LOOPE redefines design - pioneering 100% circular technology to craft thoughtful, timeless, furniture solutions for a better life and a sustainable future.

Technology and material innovation are at the heart of LOOPE, offering endless possibilities. We manufacture furniture from pure UV-stabilized polyethylene, ready to be recycled repeatedly under controlled conditions. This material returns to circulation in the form of durable furniture, instead of ending up as waste.

With full control over the recycling process, we ensure the polyethylene remains uncontaminated and retains its key properties. This exceptional material is resistant to weather, scratches, breaks, and impacts. It's flexible, soft, yet incredibly durable extending the life of each piece.

#### ADDITIONAL INFORMATION

##### MAINTENANCE

- Products can be cleaned with warm water and a mild detergent.
- Avoid using harsh cleaning agents that may damage the surface.

##### TEMPERATURE RESISTANCE

- High-quality polyethylene retains its properties in temperatures ranging from -30°C to +60°C.

##### WARRANTY

- LOOPE is more than just furniture - it's a thoughtful system that redefines consumption.
- After five years, customers can return their furniture, and we'll transform it into a new product. This way, we extend its life and reduce plastic production. Warranty covers color and shape deformation.
- The color of the furniture may differ slightly from the visualization, which does not constitute a defect in the product and cannot be the basis for a complaint.

##### DIGITAL FILE BASE

- PHOTOS
- VISUALIZATIONS
- 2D & 3D FILES