



RISE

Far from traditional garden vessels, RISE reimagines the planter as an aspirational architectural element, designed to elevate greenery into the realm of design. Defined by sharp diagonals and elongated proportions, the design is inspired by the upward momentum of growth. Karim explored the idea of sculptural verticality, creating a vessel that appears to stretch toward the light. The angled rim frames foliage dramatically, while the tapered body maintains a minimal footprint with strong visual presence. RISE is designed for both expansive commercial interiors and intimate terraces, where its asymmetrical silhouette introduces movement into otherwise static spaces.

MODEL

RI9040

DIMENSIONS

Height - 169 cm

Width - 61 cm

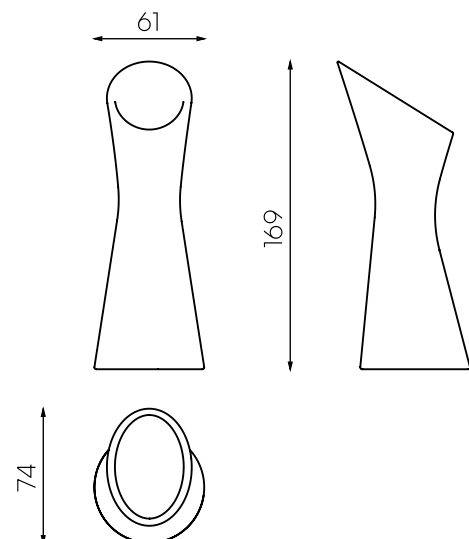
Depth - 74 cm

MATERIALS

- 100% recyclable polyethylene
- UV stabilizer
- Anti-microbial

DESIGNER

- Karim Rashid



AVAILABLE COLOR VERSIONS



RAL2012



RAL1002



RAL6027



RAL7047



RAL 7044



RAL 9003



RAL 7016



RAL 8025

COLOR RECYCLING PROGRAM

LOOPE redefines design - pioneering 100% circular technology to craft thoughtful, timeless, furniture solutions for a better life and a sustainable future.

Technology and material innovation are at the heart of LOOPE, offering endless possibilities. We manufacture furniture from pure UV-stabilized polyethylene, ready to be recycled repeatedly under controlled conditions. This material returns to circulation in the form of durable furniture, instead of ending up as waste.

With full control over the recycling process, we ensure the polyethylene remains uncontaminated and retains its key properties. This exceptional material is resistant to weather, scratches, breaks, and impacts. It's flexible, soft, yet incredibly durable extending the life of each piece.

ADDITIONAL INFORMATION

MAINTENANCE

- Products can be cleaned with warm water and a mild detergent.
- Avoid using harsh cleaning agents that may damage the surface.

TEMPERATURE RESISTANCE

- High-quality polyethylene retains its properties in temperatures ranging from -30°C to +60°C.

WARRANTY

- LOOPE is more than just furniture - it's a thoughtful system that redefines consumption.
- After five years, customers can return their furniture, and we'll transform it into a new product. This way, we extend its life and reduce plastic production. Warranty covers color and shape deformation.
- The color of the furniture may differ slightly from the visualization, which does not constitute a defect in the product and cannot be the basis for a complaint.

DIGITAL FILE BASE

- PHOTOS
- VISUALIZATIONS
- 2D & 3D FILES